

NEW

PTS850 Series 5.4x5mm SMT Side Actuated Tact

Features/Benefits

- 5.4 x 5.0 x 1.8 mm package
- SMT termination
- Side actuated with or without boss design
- 180 & 350 gf versions
- Lifecycles 50K

Typical Applications

- Headphone/ Headset
- Health monitoring
- Sports watch
- Black box
- Bluetooth accessory
- Navigation



Specifications

FUNCTION: momentary action
 CONTACT ARRANGEMENT: 1 make contact = SPST N.O.
 TERMINALS: SMT termination
 TRAVEL: 0.2 mm ± 0.1 mm
 LIFE: 50,000 cycles

Electrical

MAXIMUM VOLTAGE: 12 VDC
 MAXIMUM CURRENT DC: 50 mA
 CONTACT RESISTANCE: 500 mΩ
 INSULATION RESISTANCE: 100 MΩ min.

Environmental

OPERATING TEMPERATURE: -40°C to 85°C
 STORAGE TEMPERATURE: -30°C to 85°C

Process

SOLDERING: This component is suited to the following methods:
 Infrared Reflow Soldering in accordance with IEC61760-1

Packaging

2,000 pieces per reel

How To Order

Please see chart below for full part numbers.

| Type | Actuation Force (gf) | Stem Colour | Remark |
|---------------------|----------------------|-------------|--------------|
| PTS850VM18PSMTR LFS | 180 + 80/- 40 | Black | With Boss |
| PTS850VR18PSMTR LFS | 350 ± 80 | Natural | With Boss |
| PTS850VM18SMTR LFS | 180 + 80/- 40 | Black | Without Boss |
| PTS850VR18SMTR LFS | 350 ± 80 | Natural | Without Boss |

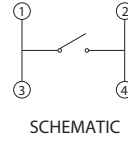
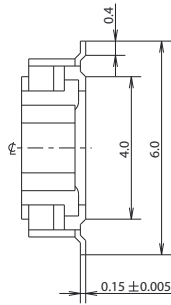
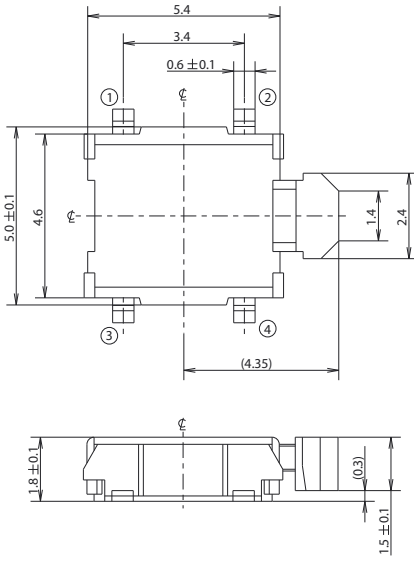
PTS850 Series 5.4x5mm SMT Side Actuated Tact

NEW

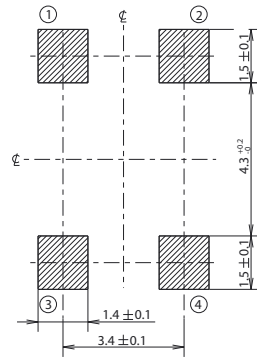
WITHOUT BOSS

Tactile Switches

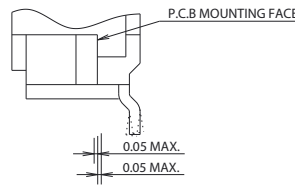
B



P.C.B. LAYOUT

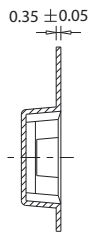


HATCHED AREA SHOWS SOLDERING LAND

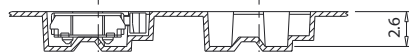
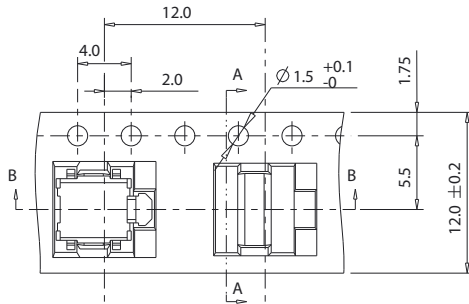


TAPE & REEL

CARRIER TAPE



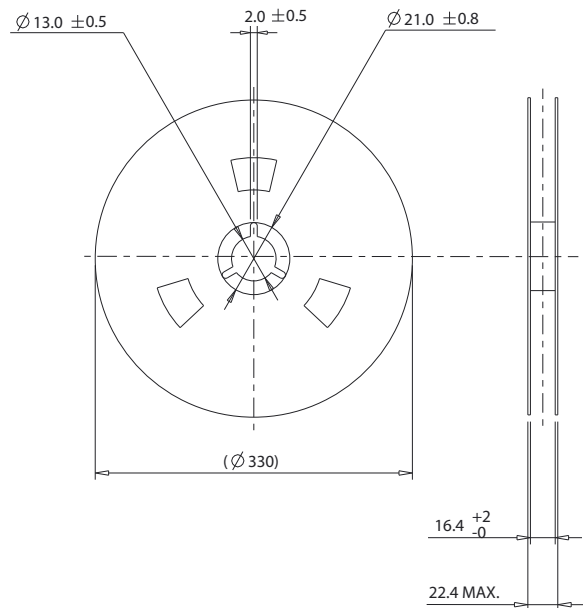
SECTION A-A



SECTION B-B

DRAWING DIRECTION

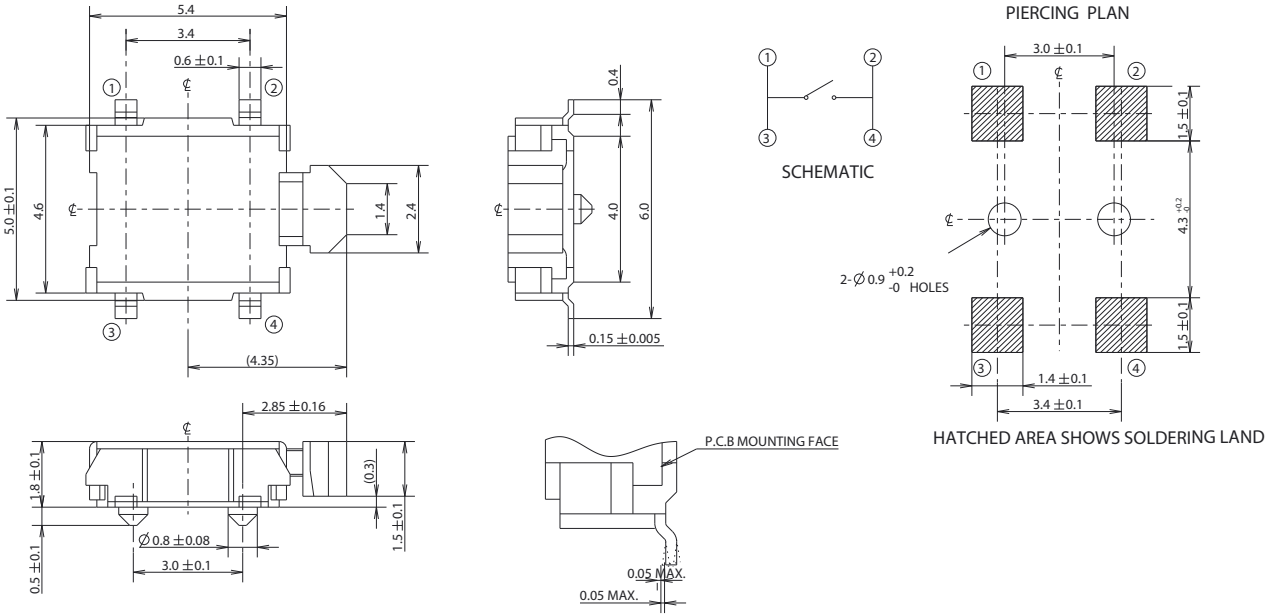
REEL



NEW

PTS850 Series 5.4x5mm SMT Side Actuated Tact

WITH BOSS



B Tactile Switches

TAPE & REEL

