

FDSD Series

Micro Mini Side Actuated Detect Switches



Description

FDSD newest introduction into the detect family switches are really miniature in package size which allow application that requires side vertical detection. It is mounted on PCB and the typical applications are mainly consumer electronics and medical devices.

Features & Benefits

- Extremely small package size
- Vertical Side Actuation
- Flat or Bending Terminations
- Long Travel Type
- RoHS Compatible and Compliant

Applications

- Consumer electronics
- Medical devices
- Safety control devices

Specifications

Contact Rating	50 μ A @ 3VDC, 10 mA @ 5 VDC
Mechanical/Electrical Life	50,000 operations
Contact Resistance	1 Ω max.
Insulation Resistance	100 M Ω min.
Dielectric Strength	100 VAC @ 1 minute
Operating Temperature	-40°C to 85°C
Operating Force	40gf max.
Travel	3.05 mm or 60°
Solderability	According to lead free solder profiles
Packaging	3,500 pieces per reel

Materials

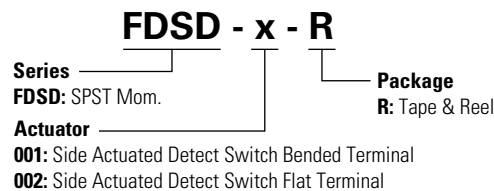
Base	PA9T
Cover	C7701R
Actuator	PA46
Movable Contact	Beryllium Copper
Terminals	Phosphor Bronze, Ag over Ni Plating

Notes:

1. Specifications and materials listed above are for switches with standard options. For information on specific and custom switches, consult Customer Service Center.

Ordering Number

Complete part numbers for FDSD Series are shown below.

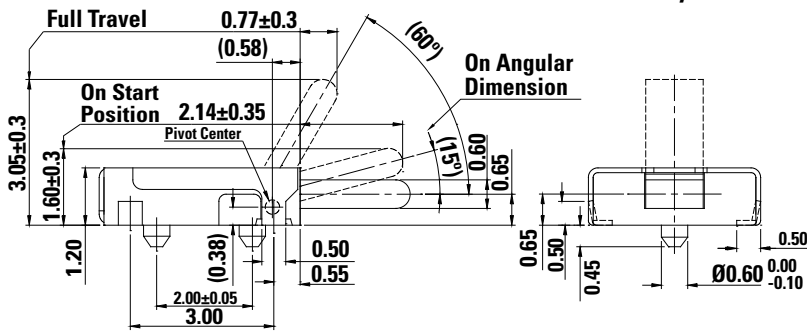
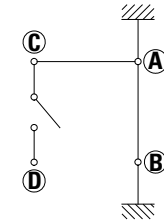
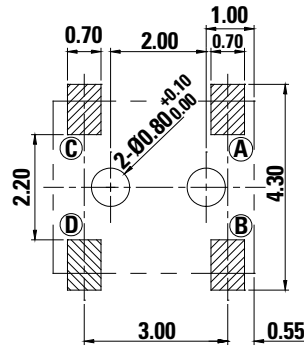
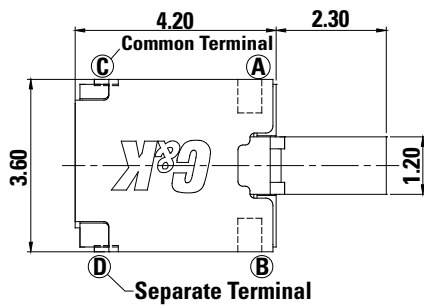


FSD Series

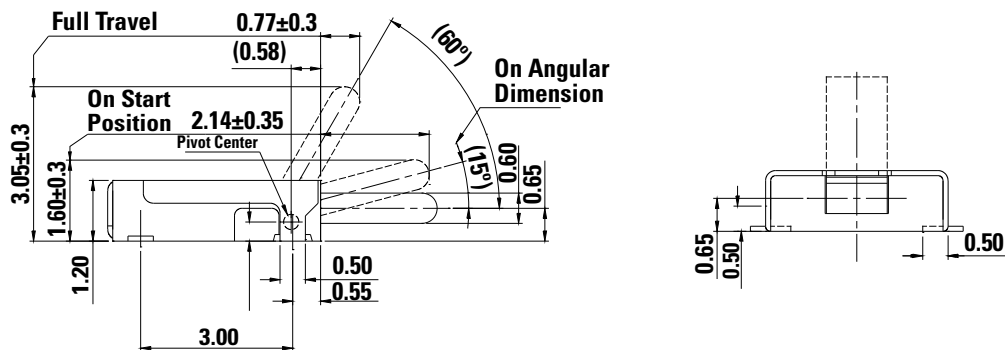
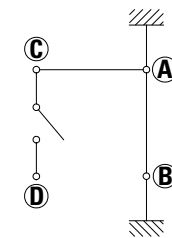
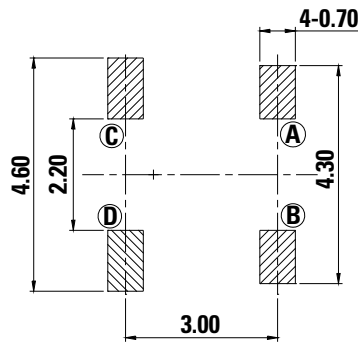
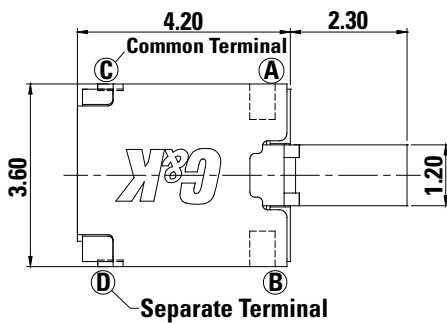
Micro Mini Side Actuated Detect Switches



Series FDSD001R



FDSD002R

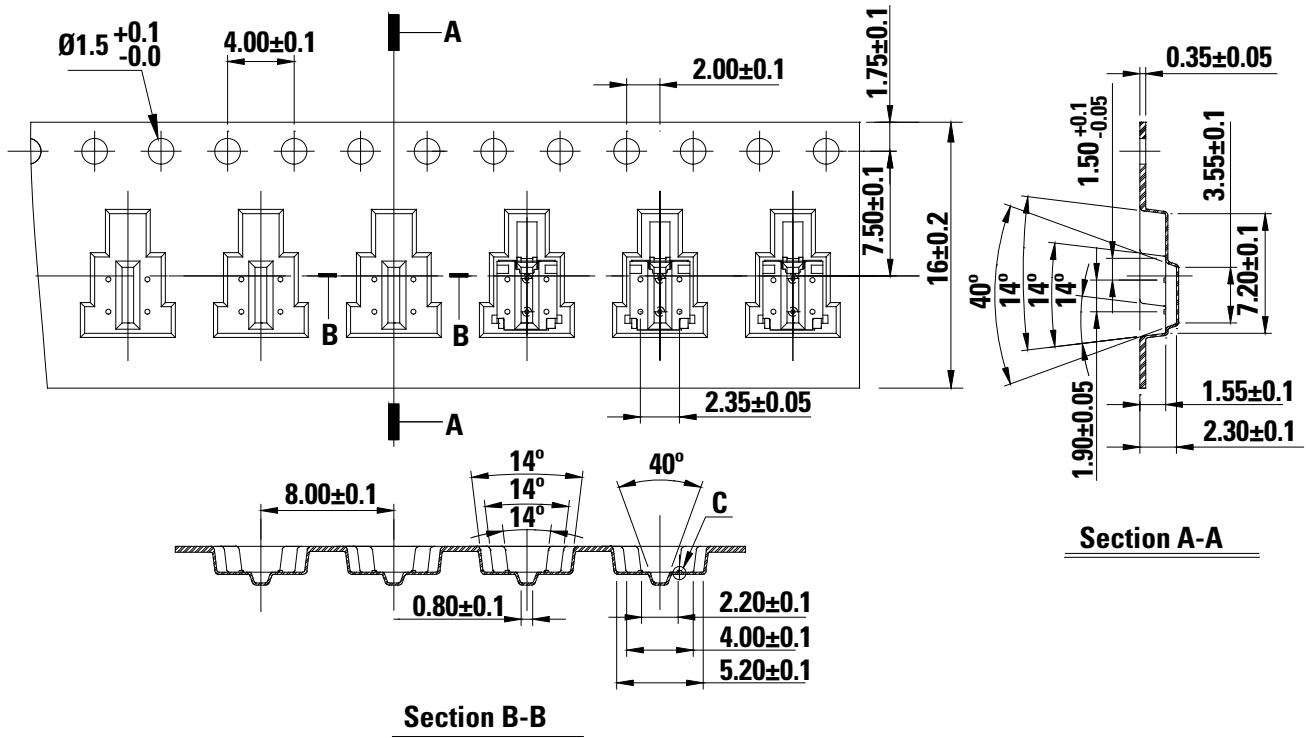
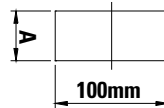
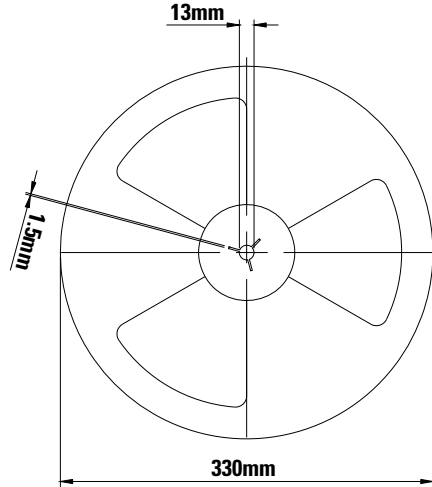


FDSD Series

Micro Mini Side Actuated Detect Switches



Tape & Reel (in mm)



Disclaimer Notice - Information furnished is believed to be accurate and reliable. However, users should independently evaluate the suitability of and test each product selected for their own applications. Littelfuse products are not designed for, and may not be used in, all applications. Read complete Disclaimer Notice at <http://www.littelfuse.com/disclaimer-electronics>.