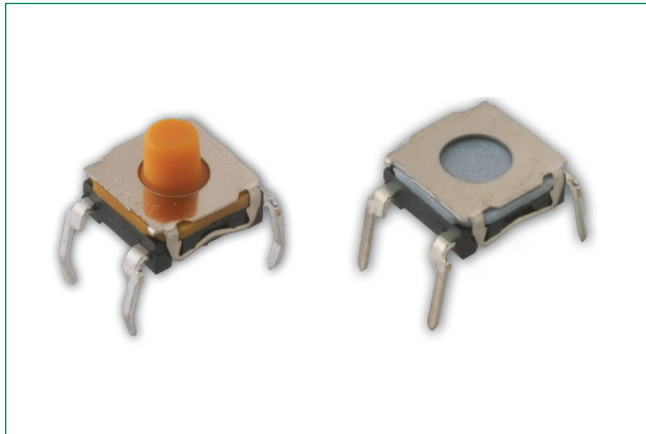


KSF & KSFI Series

Soft Actuated Tactile Switch



Description

The KSF series soft actuated tactile switch features a top and side actuated design with a sealed front end. The switch's inherently small size and flexibility make it ideal for low profile keyboards, automotive interfaces and industrial control applications.

Features & Benefits

- Soft actuated switch
- Sealed front end
- Top and side actuated

Applications

- Low profile keyboards
- Automotive interfaces
- Industrial control

Specifications

Function	Momentary action
Contact Type	1 make contact = SPST, N.O.
Terminals	THT pins

Electrical Characteristics

	Silver	Gold
Maximum Power	1 VA	0.2 VA
Min. / Max. Voltage	20mV - 32VDC	
Min. / Max. Current	1 - 50 mA	1 - 10 mA
Dielectric Strength	(50 Hz, 1 min.) > 250 Vrms	
Contact Resistance	< 100 mΩ	
Insulation Resistance	(100 V, initial stage): > 10 ⁹ Ω	
Bounce Time	< 1 ms	

Environmental Characteristics

	Silver	Gold
Operating Temperature	-40°C to 85°C	-40°C to 125°C
Storage Temperature	-55°C to 85°C	-40°C to 125°C

Process

Soldering	Lead free wave soldering process
Packaging	In boxes of 250 pieces (V type) or 500 types (M type)

Mechanical Characteristics

Overload Resistance	40N, 1 time
Sealing	IP60 or IP67

Part #	Force (N)	Operating Life (operations)	Travel (mm)
KSF0M211LFTR	1.5 ± 0.5	100,000	0.25 ± 0.1
KSF0M311LFTR	1.9 ± 0.5		
KSF0M411LFTR	3.0 ± 0.75		
KSF0M511LFTR	5.2 ± 1.0		
KSFI0V91170SH LFTR	3.4 ± 1.5		
KSF0M212 LFT	1.6 ± 0.4	300,000	0.25 ± 0.1
KSFI0M412 70SHLFT	3.2 ± 0.8	100,000	0.75 ± 0.25

Notes:

1. Other configurations of haptics and terminals are available upon demand. Please also refer to KSF and KSFI Mk2 catalogues pages for other options. This product is designed and manufactured for general electronic devices. For systems where reliability and safety are required, please contact your sales representative to secure product integration and function to secure usage.

KSF & KSFI Series

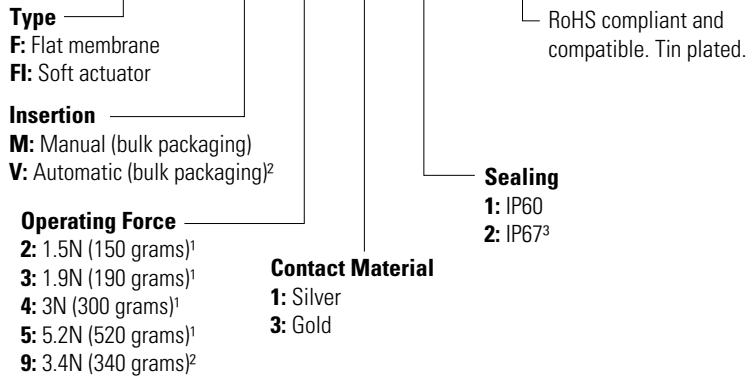
Soft Actuated Tactile Switch



Ordering Number

Our easy build-a-switch concept allows you to mix and match options to create the switch you need. To order, select desired option from each category and place it in the appropriate box. However, please note that all the combinations of these options are not feasible. For any part number different from those listed above, please consult your local representative.

KS - x - 0 - x - x - x - x - LFTR

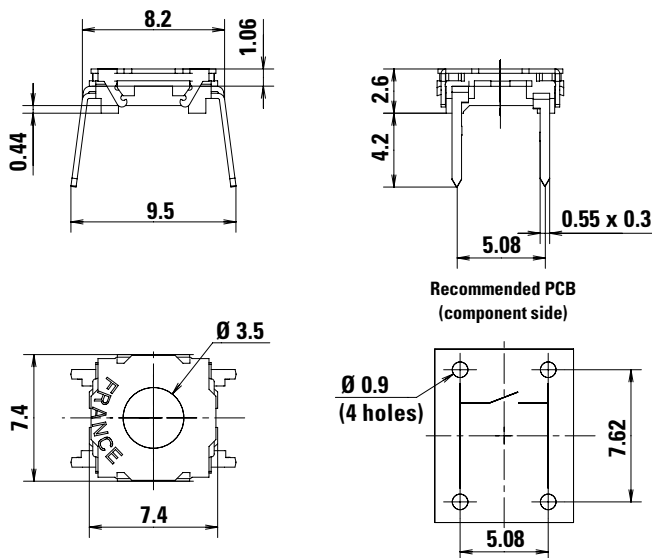


Notes:

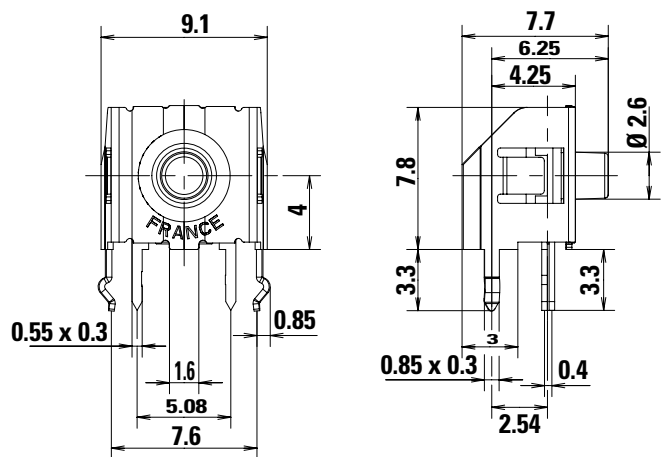
- 1. Valid for KSFI only
 - 2. Valid for KSFI MK1 only
 - 3. Selecting this option part number will end with LFT
- Products must be checked according to customers soldering parameters especially in terms of flux resistance

Dimensions (mm)

KSF



KSFI 0V



Disclaimer Notice - Information furnished is believed to be accurate and reliable. However, users should independently evaluate the suitability of and test each product selected for their own applications. Littelfuse products are not designed for, and may not be used in, all applications. Read complete Disclaimer Notice at <http://www.littelfuse.com/disclaimer-electronics>.