



CONSUMER LINE

WEARABLE - PORTABLE ELECTRONICS



PTS830

## THE IDEAL SWITCH FOR PORTABLE DEVICES

Featuring the combination of a low profile design and high actuation force, PTS830 series is the perfect answer to the specific constraints and requirements of portable devices and wearable electronics.



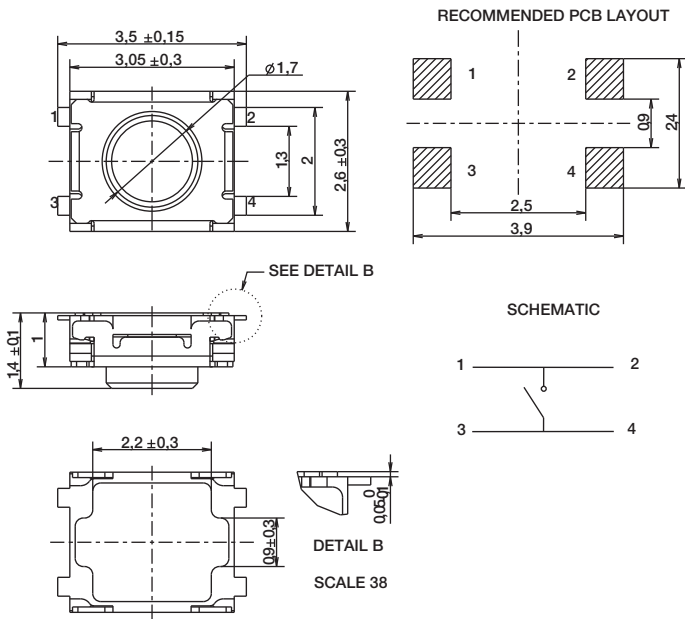
The PTS830 switch features:

- Low profile (1.4 mm height) helping to reach the next level of miniaturization of the device
- 2 actuation forces, including a 450gf version that prevents unsolicited selection of function
- Ground pin option to prevent static electricity and operation failure

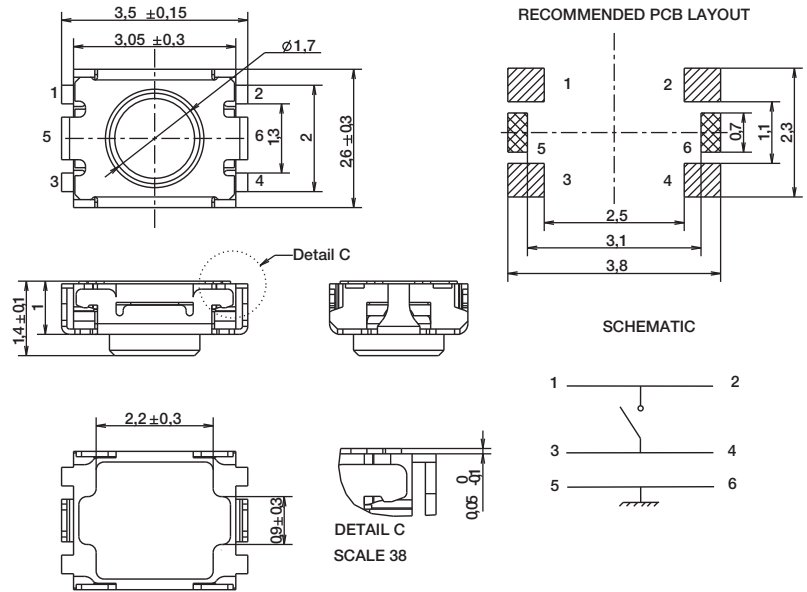
**PTS830**

LOW PROFILE (1.4 MM HEIGHT) SMT TOP ACTUATED

#### PTS830 GX 140 SMTR LFS



#### PTS830 GX 140G SMTR LFS



**Termination**  
G Gullwing

**Actuation Force**  
M 160 gf  
G 450 gf

**Height**  
140 1.4 mm height

**Grounding Option**  
G Ground pin  
Void No ground pin

**Packaging**  
SMTR Tape & Reel

**LFS** Lead free, RoHS, Halogen Free, Silver plated

For more information, please consult the PTS830 page at [www.ck-components.com](http://www.ck-components.com)

#### AMERICAS

Tel: +1.617.969.3700

#### FRANCE

Southern and Western Europe

Tel: +33.1.60.24.51.51

#### GERMANY

Central and Eastern Europe & Nordic

Tel: +49.30.814.539.250

#### HONG KONG

Tel: +852.3713.5288

#### SHANGHAI

Tel: +86.21.5413.0137

