

# HDT Series Micro Mini Surface Mount Detect Switches



## Features/Benefits

- Low profile package
- Design allows top or side actuation
- Low actuation force, 35 grams max.
- Pick and place compatible, available in tape & reel packaging
- RoHS compliant and compatible
- Halogen free

## Typical Applications

- Consumer electronics
- Computers
- Medical devices
- ATCA and MicroTCA devices

## Specifications

CONTACT RATING: 1 mA 5 VDC  
 MECHANICAL AND ELECTRICAL LIFE: 100,000 cycles min.  
 CONTACT RESISTANCE: 500 m Ω max. initial.  
 INSULATION RESISTANCE: 100 M Ω min. between adjacent contacts.  
 OPERATING TEMPERATURE: -40°C to + 85°C  
 STORAGE TEMPERATURE: -40°C to + 85°C  
 PACKAGING: Tape & reel

## Materials

BASE: PA 46 (UL94V-0)  
 COVER: PA 46 (UL94V-0)  
 ACTUATOR: PA 46 (UL94V-0)  
 MOVABLE BLADE: Stainless Steel, Ag over Ni plating.  
 TERMINALS: Phosphor Bronze, Ag over Ni plating.  
 SOLDERABILITY: Lead free compatible - No clean.

**NOTE:** Specifications and materials listed above are for switches with standard options. For information on specific and custom switches, consult Customer Service Center.

## Build-A-Switch

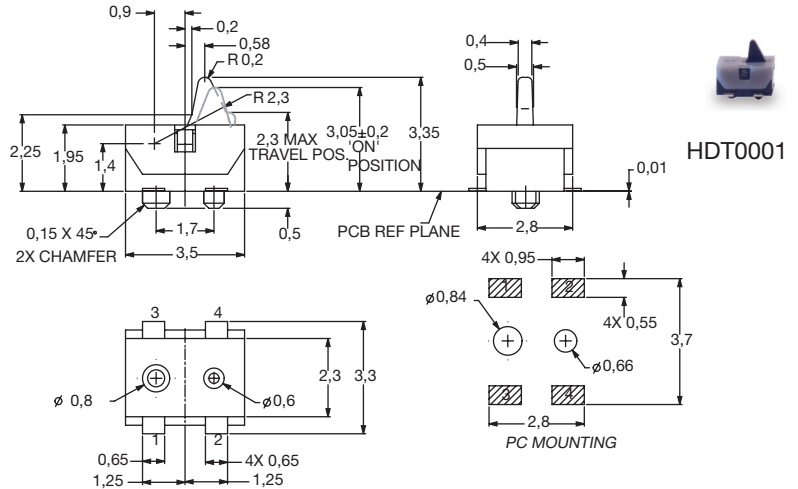
Complete part numbers for HDT Series are shown below.

PART NUMBER	PACKAGING	SCHEMATIC
<b>HDT0001</b>	TAPE & REEL 2,450 per reel	

**NOTE:** Available with no locating posts by adding "NP" (HDT0001NP) to Part Number.

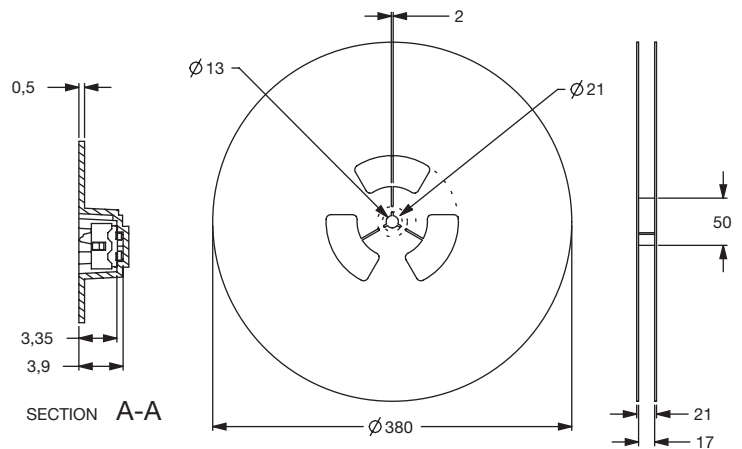
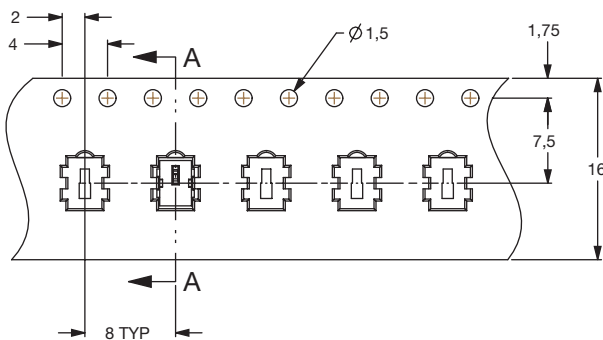
### TRAVEL:

Pre-travel .30 mm  
 Overtravel: .75 mm  
 Total: 1.05 mm



## TAPE & REEL

### HDT0001



Third Angle Projection

Dimensions are shown: mm  
 Specifications and dimensions subject to change



# HDT Series Micro Mini Surface Mount Detect Switches

## HDT0004

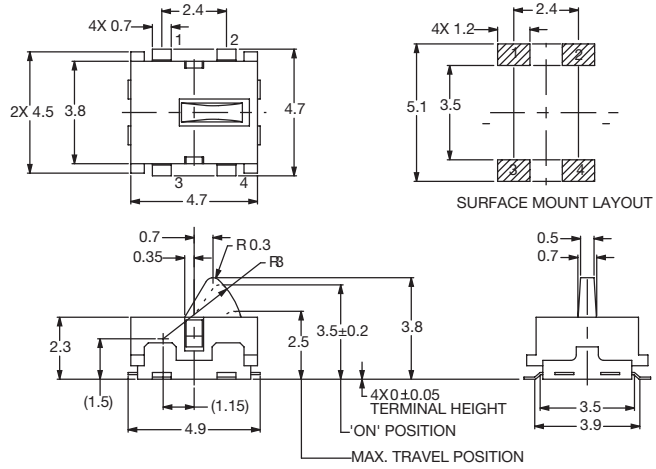


HDT0004

PART NUMBER	PACKAGING	SCHEMATIC
<b>HDT0004</b>	TAPE & REEL 2,800 per reel	

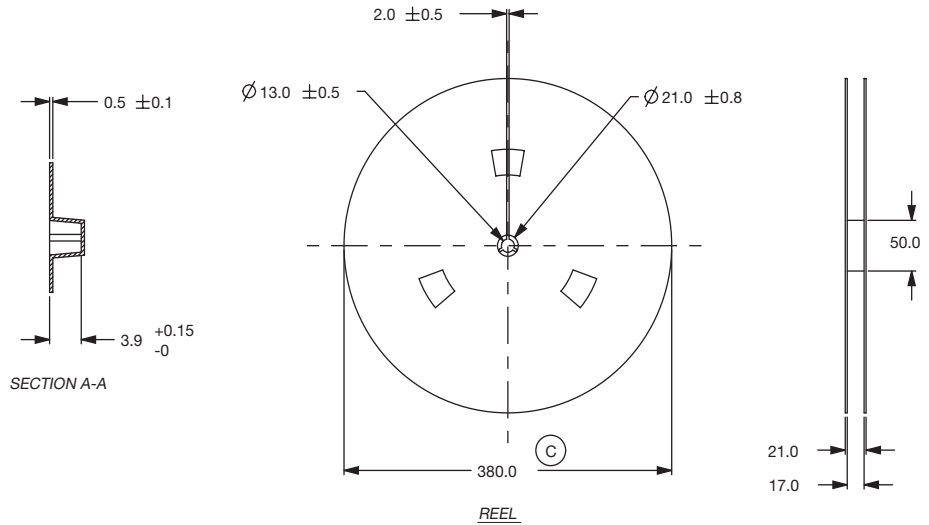
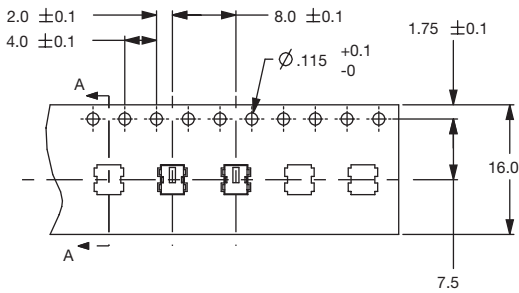
**TRAVEL:**

Pre-travel: .3 mm  
Overtravel: 1.0 mm  
Total: 1.3 mm



## TAPE & REEL

HDT0004



## HDT0104

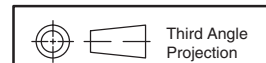
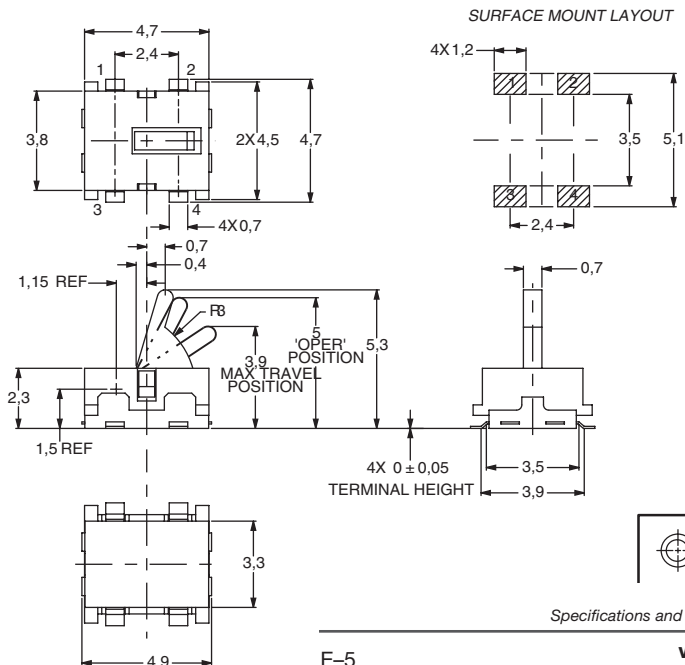


HDT0104

PART NUMBER	PACKAGING	SCHEMATIC
<b>HDT0104</b>	TAPE & REEL 2,500 per reel	

**TRAVEL:**

Pre-travel: .3 mm  
Overtravel: 1.1 mm  
Total: 1.4 mm



Dimensions are shown: mm  
Specifications and dimensions subject to change

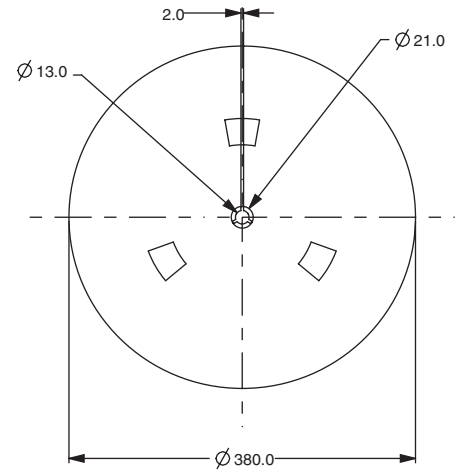


Detect

# HDT Series Micro Mini Surface Mount Detect Switches

## TAPE & REEL

### HDT0104



### HDT0204

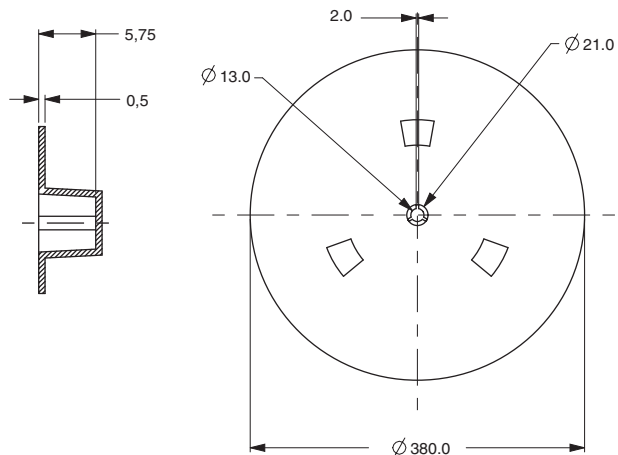
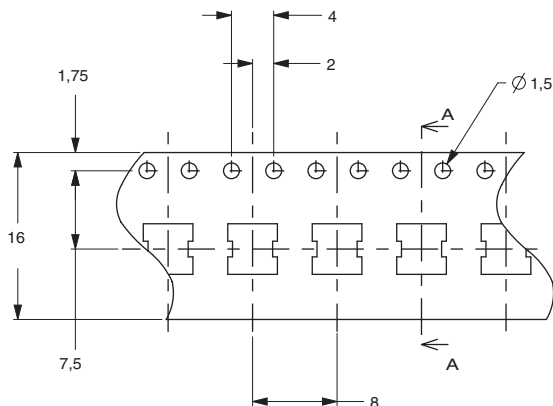
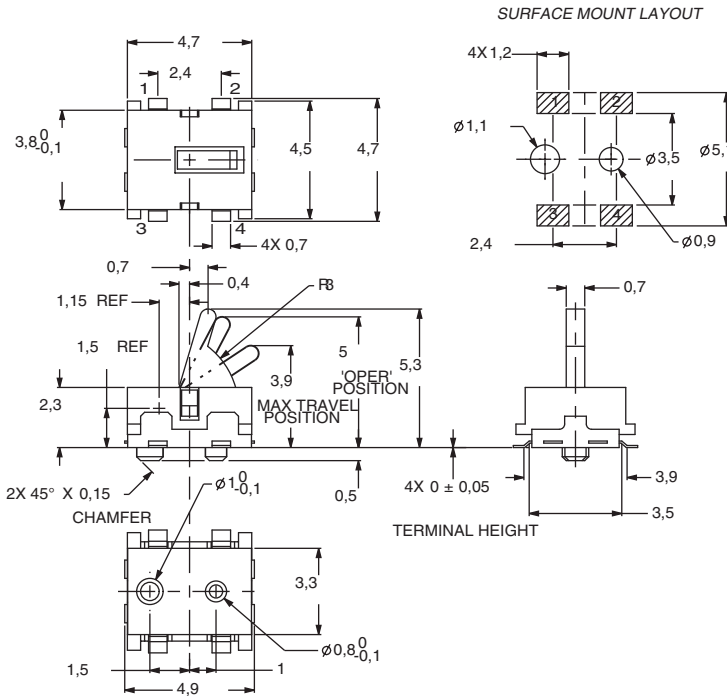


HDT0204

PART NUMBER	PACKAGING	SCHEMATIC
<b>HDT0204</b>	TAPE & REEL 1,400 per reel	

**TRAVEL:**

- Pre-travel: .3 mm
- Overtravel: 1.1 mm
- Total: 1.4 mm



Detect

