

DDS Series

Micro Mini Thru-hole Detect Switches



Specifications

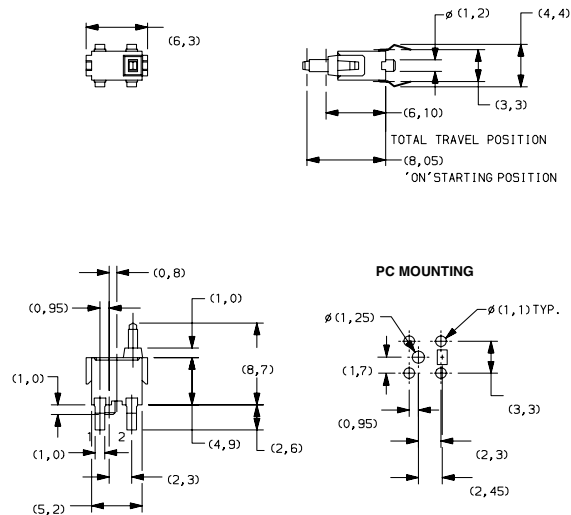
Contact Rating	0.1A @ 30 VDC
Mechanical/Electrical Life	50,000 cycles min.
Contact Resistance	150 m Ω max. initial
Insulation Resistance	100 M Ω min. @ 100 VDC
Operating Temperature	-40°C to 85°C
Dielectric Strength	100 volts AC @ 60 Hz
Packaging	Bulk

Ordering Number

Part number list is shown below. For individual part details, please refer to the following pages.

Part Number (Part Description)	Product Details
DDS001	Micro mini thru-hole detect switches top actuated
DDS002	Micro mini thru-hole detect switches side actuated right
DDS003	Micro mini thru-hole detect switches side actuated left
DDS004	Micro mini SMT detect switches top actuated

Complete part numbers for DDS Series are shown below.



DDS001 SPST

Part Number	Description	Schematic
DDS001	Vertical Actuator	1 ● 2 SPST N.O.

Description

DDS series micro mini thru-hole detect switches from C&K feature a low actuation force (less than 40g), a choice of vertical or horizontal actuation and a 2mm overtravel feature, making them ideal for detecting the presence of a mechanical device. Typically used in the medical device and consumer electronics industries, C&K's DDS switches are known for being long-lasting and compact.

Features & Benefits

- Vertical or horizontal actuation
- 2mm overtravel—Ideal for detector applications
- Low actuations force (less than 40 grams)
- RoHS compliant and compatible

Applications

- Detect the presence of a mechanical device
- Medical devices
- Consumer electronic devices

Materials

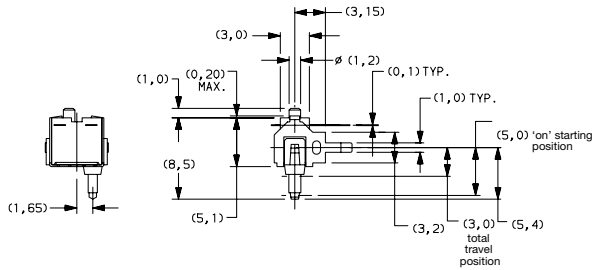
Housing	P.P.S.
Actuator	PA66
Movable Contact	Tin bronze, silver plated

Notes

1. Specifications and materials listed above are for switches with standard options. For information on specific and custom switches, consult Customer Service Center.

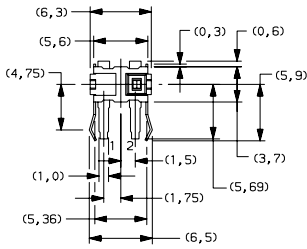
DDS Series

Micro Mini Thru-hole Detect Switches

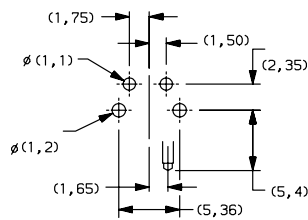


DDS002 SPST

Part Number	Description	Schematic
DDS002	Right angle, actuator right	1 ● 2 SPST N.O.

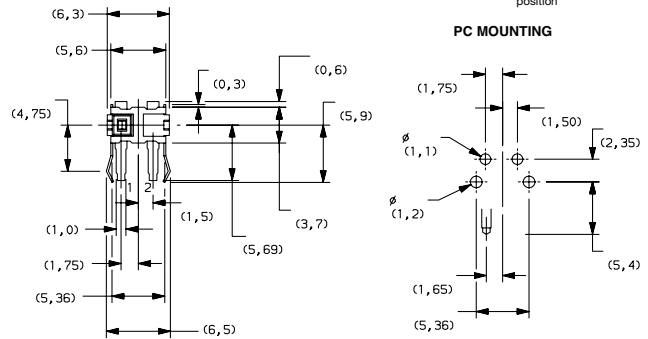
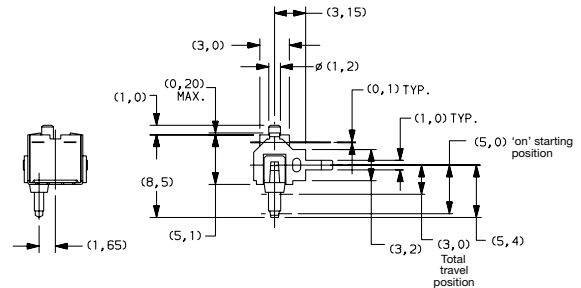


PC MOUNTING



DDS003 SPST

Part Number	Description	Schematic
DDS003	Right angle, actuator left	1 ● 2 SPST N.O.

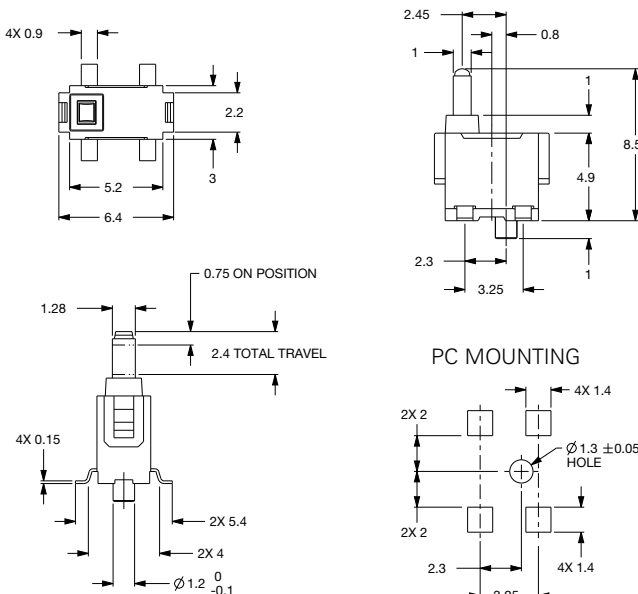


PC MOUNTING

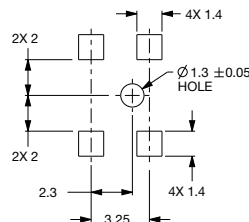


DDS004 SPST

Part Number	Description	Schematic
DDS004	Vertical actuator	1 ● 2 SPST N.O.



PC MOUNTING



Disclaimer Notice - Information furnished is believed to be accurate and reliable. However, users should independently evaluate the suitability of and test each product selected for their own applications. Littelfuse products are not designed for, and may not be used in, all applications. Read complete Disclaimer Notice at <http://www.littelfuse.com/disclaimer-electronics>.