

# K5AT

## Illuminated SMT Tact Switch



### Description

The K5AT series illuminated SMT tact switch offers high, bright LED lights and reduced space usage on board "2 in 1." It's excellent ergonomics, sharp tactile feel and audible click make it ideal for network infrastructure, telecom and medical applications that need to perform in the harshest environments.

### Features & Benefits

- High bright LED's
- Gold plated dome contact offering superior contact reliability in time
- Excellent ergonomics: sharp tactile feel and audible click
- Reduced space usage on board "2 in 1"
- 40 N overload
- Tape and reel
- RoHS compliant and compatible

### Applications

- Application requiring illumination
- Server, storage
- Network infrastructure
- Telecom
- Medical

### Specifications

<b>Function</b>	Momentary
<b>Contact Arrangement</b>	Normally Open
<b>Terminals</b>	SMT with positioning pegs; SMT without positioning pegs is available, contact Customer Service
<b>Packaging</b>	Standard: 900 pcs per reel; Reel diameter 380 mm Reduced: 180 pcs per reel; Reel diameter 180 mm

### Electrical Characteristics

<b>Min. / Max. Power</b>	0.02 VA - 1.0 VA
<b>Min. / Max. Voltage</b>	20m VDC - 32 VDC
<b>Min. / Max. Current</b>	0.1 mA - 100 mA
<b>Contact Resistance</b>	< 100mΩ
<b>Insulation Resistance</b>	>1G Ω initial, >10M Ω after damp heat
<b>Bounce Time</b>	< 10 ms

### Environmental Characteristics

<b>Operating Temperature</b>	-40°C to 125°C
<b>Storage Temperature</b>	-55°C to 125°C
<b>Relative Humidity</b>	90 to 96% according to NF EN 60068-2-30
<b>Protection</b>	Dust protection and flux tight (IP 40)
<b>Overload</b>	40N min

### Process

<b>Soldering</b>	Compatible with the lead free soldering profile. No washing. MSL Level: 5
------------------	---

### Materials

<b>Contacts</b>	Au over Ni
<b>Terminals</b>	Au over Ni
<b>Housing</b>	Thermoplastic UL94 V0

### Mechanical Characteristics

Part #	Actuation Force (N)	Operating Life (operations)	Travel (total travel mm)
K5AT xx 43GP	4.0	100,000	0.45 (0.95)

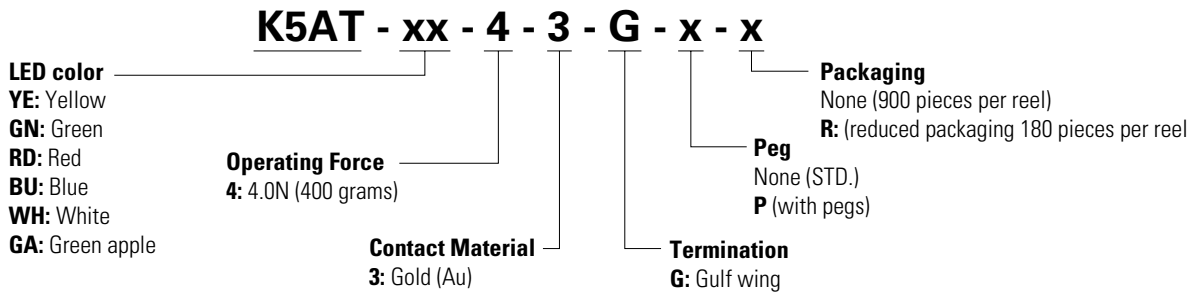
# K5AT

## Illuminated SMT Tact Switch

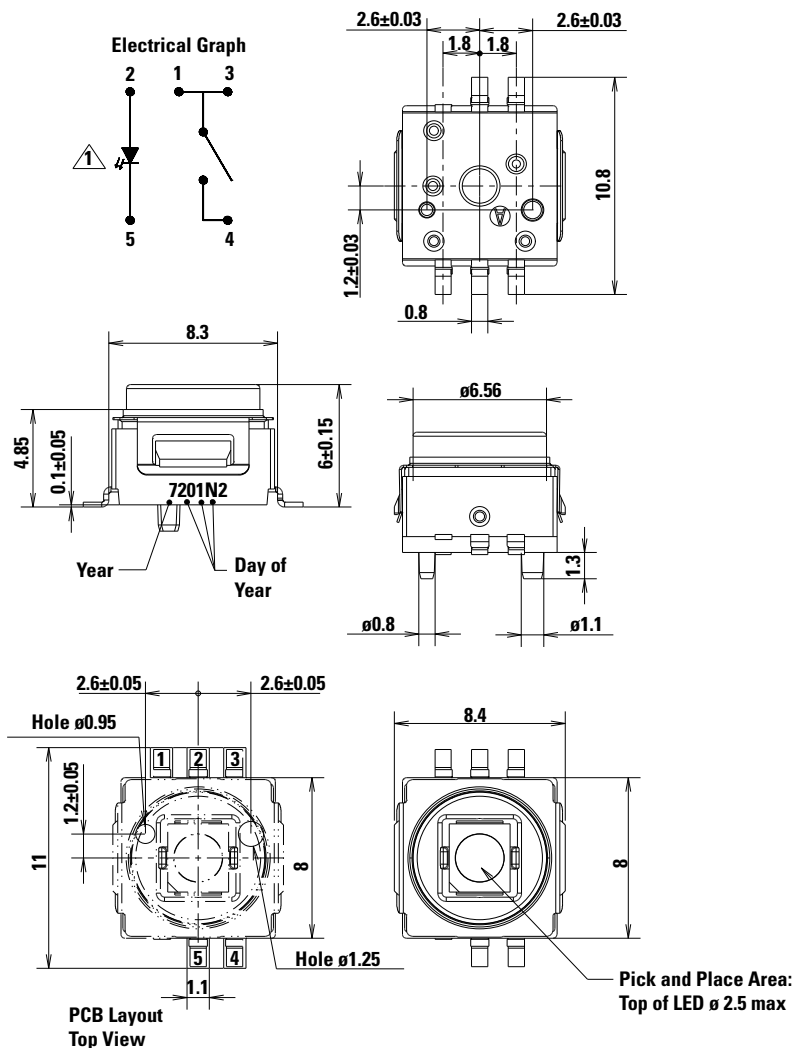


### Ordering Number

Our easy build-a-switch concept allows you to mix and match options to create the switch you need. To order, select desired option from each category and place it in the appropriate box.



### K5AT Drawings and Dimensions

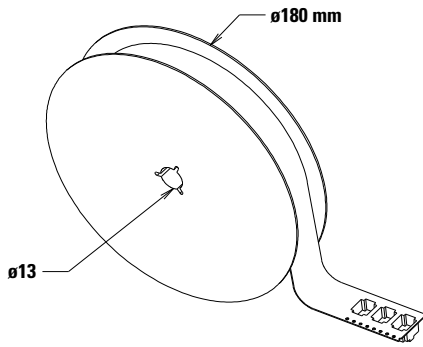
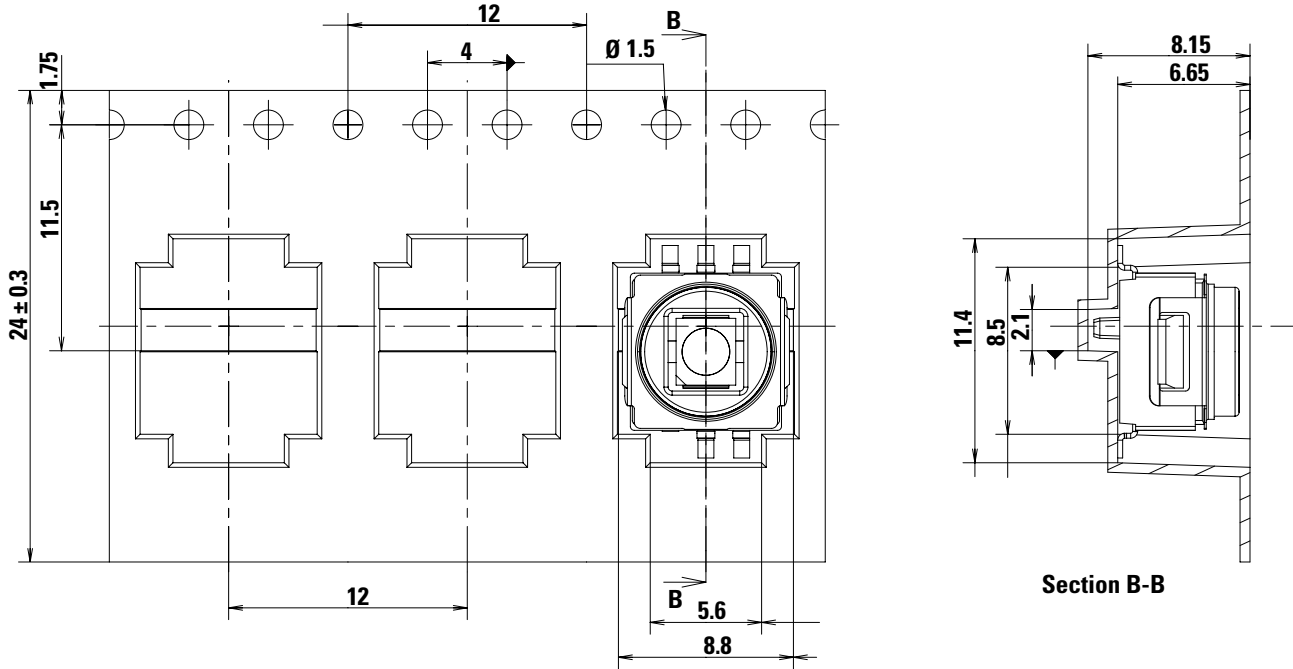


# K5AT

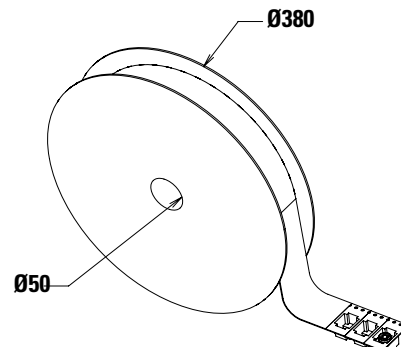
## Illuminated SMT Tact Switch



### Tape and Reel



900 pieces per reel ( $\varnothing 380$ mm)



180 pieces per reel ( $\varnothing 180$ mm)

**Disclaimer Notice** - Information furnished is believed to be accurate and reliable. However, users should independently evaluate the suitability of and test each product selected for their own applications. Littelfuse products are not designed for, and may not be used in, all applications. Read complete Disclaimer Notice at <http://www.littelfuse.com/disclaimer-electronics>.