

AYZ Series

Miniature Slide Switches



Description

The AYZ series miniature slide switch feature a low-profile and are available in single or double pole models and double or triple throw models. Designers of computer peripherals, network products, telecommunication products, and test and measurement equipment choose the AYZ series because of its reputation for performance and reliability.

Features & Benefits

- Low profile
- Single & double pole models
- Double & triple throw models
- Reflow compatible

Applications

- Computer peripherals & network products
- Telecommunication products
- Test & measurement equipment

Specifications

Max. Switching Power	1.2 VA
Max. Switching Voltage	12 VDC
Max. Switching Current	100 mA
Mechanical Life	10,000 operations
Contact Resistance	< 80m Ω
Insulation Resistance	> 10 ⁹ Ω
Dielectric Strength	0.1 kV at 50 Hz/1 min.
Operating Temperature	-40°C to 85°C
Packaging	Tape & Reel

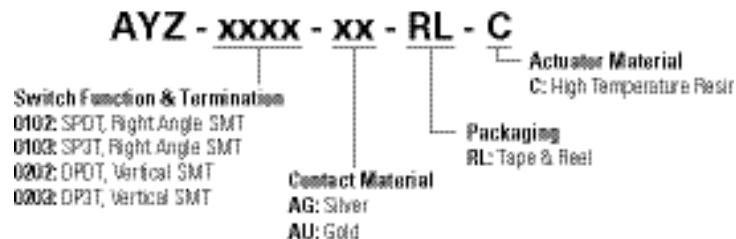
Materials

Housing	Glass filled nylon 4/6 (UL 94V-0)
Actuator	
Cover	SUS
Contact Spring	Contact bronze
Movable Contact	Copper alloy, silver or gold plated.
Fixed Contact	
Terminals	Brass, silver or gold plated.

Notes: Specifications and materials listed above are for switches with standard options. For information on specific and custom switches, consult Customer Service Center.

Ordering Number

Our easy build-a-switch concept allows you to mix and match options to create the switch you need. To order, select desired option from each category and place it in the appropriate box.



AYZ Series

Miniature Slide Switches



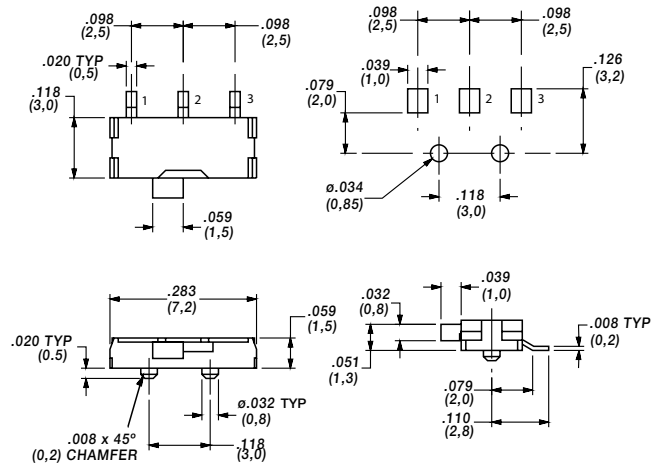
AYZ0102AGRLC inches (mm)

Switch Function

Part Number	RoHS Compliant	Reflow Compatible	POS.1	POS.2
AYZ0102AGRLC	Yes		On	On
Conn. Terminals		-	1-2	2-3



PC Mounting

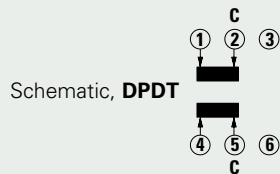


Switch Shown in Position 1

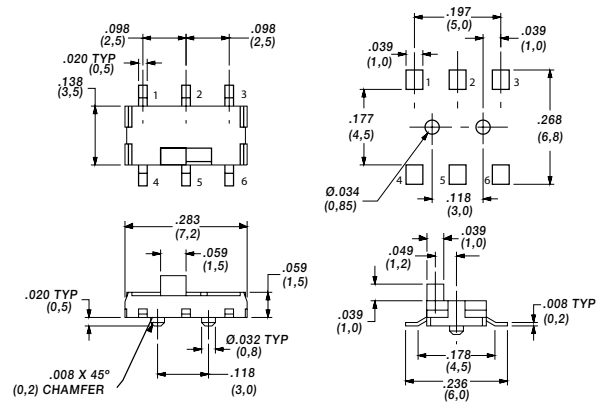
AYZ0202AGRLC inches (mm)

Switch Function

Part Number	RoHS Compliant	Reflow Compatible	POS.1	POS.2
AYZ0202AGRLC	Yes		On	On
Conn. Terminals		-	1-2, 4-5	2-3, 5-6



PC Mounting



Switch Shown in Position 1

AYZ Series

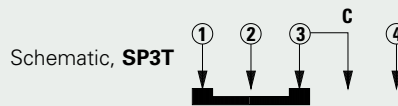
Miniature Slide Switches



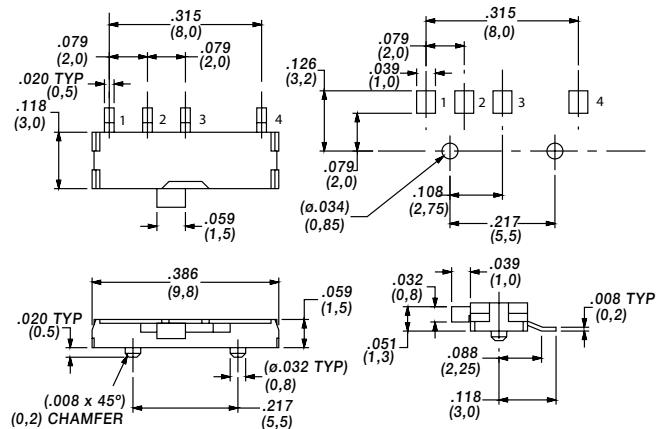
AYZ0103AGRLC inches (mm)

Switch Function

Part Number	RoHS Compliant	Reflow Compatible	POS.1	POS.2	POS.3
AYZ0103AGRLC	Yes	Yes	On	On	On
Conn. Terminals	-	-	1-3	2-C	3-4



PC Mounting

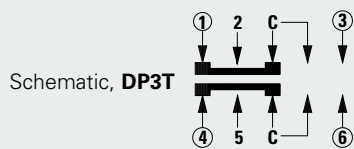


Switch Shown in Position 1

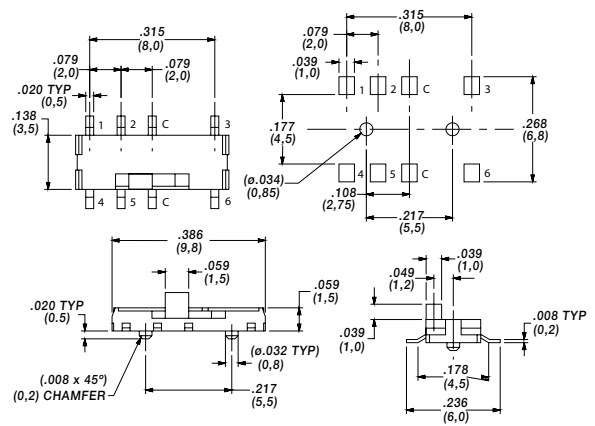
AYZ0203AGRLC inches (mm)

Switch Function

Part Number	RoHS Compliant	Reflow Compatible	POS.1	POS.2	POS.3
AYZ0203AGRLC	Yes	Yes	On	On	On
Conn. Terminals	-	-	1-C, 4-C	2-C, 5-C	3-C, 6-C



PC Mounting



Switch Shown in Position 1

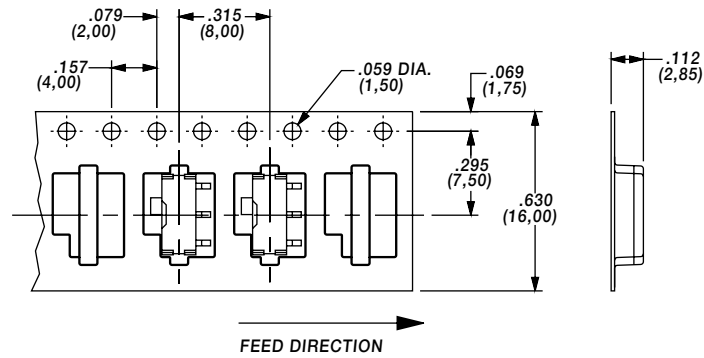
AYZ Series

Miniature Slide Switches



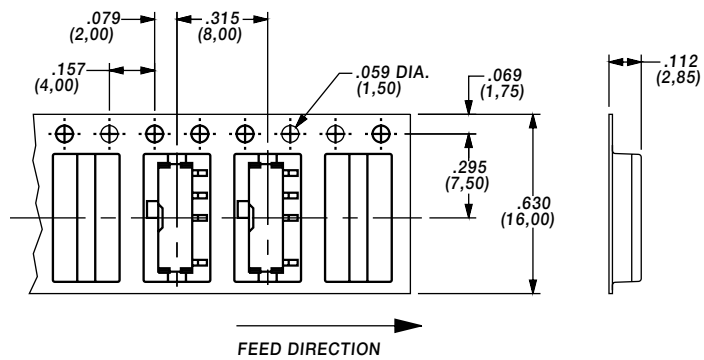
Tape & Reel

AYZ0102AGRLC inches (mm)



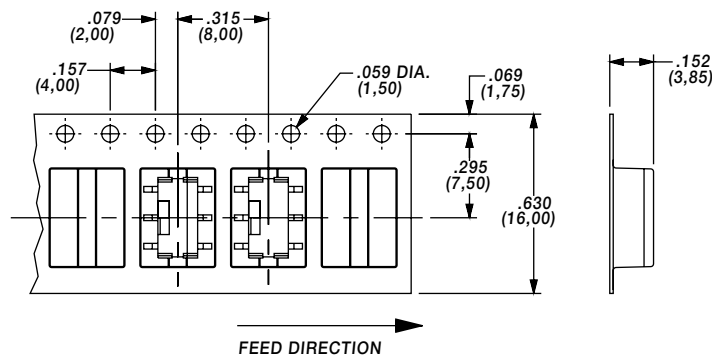
Notes: For part number AYZ0102AGRLC. Quantity per reel 4000

AYZ0103AGRLC inches (mm)



Notes: For part number AYZ0103AGRLC. Quantity per reel 4000

AYZ0202AGRLC inches (mm)



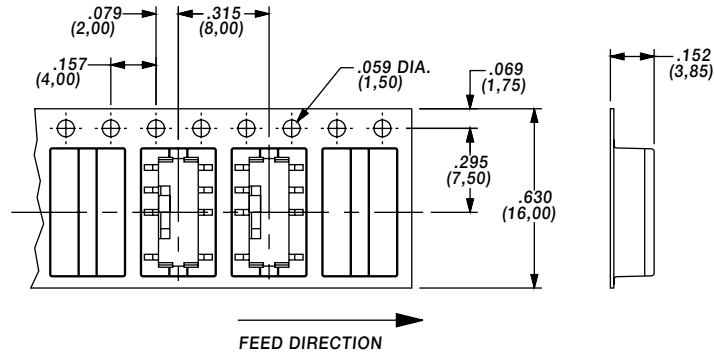
Notes: For part number AYZ0202AGRLC. Quantity per reel 3000

AYZ Series

Miniature Slide Switches



AYZ0203AGRLC inches (mm)



Notes: For part number AYZ0203AGRLC. Quantity per reel 3000

Disclaimer Notice - Information furnished is believed to be accurate and reliable. However, users should independently evaluate the suitability of and test each product selected for their own applications. Littelfuse products are not designed for, and may not be used in, all applications. Read complete Disclaimer Notice at <http://www.littelfuse.com/disclaimer-electronics>.