



DS Series

Interlock Snap Switches



Agency Approvals

Agency	Agency File Number
	E42363
	ENEC-04283(DS1F5,DS1F7,DS2F5,DS2F7) ENEC-04285(DS1D6,DS2D6) ENEC-04286(DS1D7,DS2D7)

Specifications

Function	Single pole double throw / Double pole double throw
Mounting Type	Snap in style
Electrical Life	See ratings chart below
Dielectric Strength	1500 V (50-60 Hz @ sea level)
Insulation Resistance	100 M Ω min.
Initial Contact Resistance	30 milli-ohms
Operating Temperature	-40°C to 85°C

Notes:

Specifications and materials listed above are for switches with standard options. For information on specific and custom switches, please contact Customer Service.

Description

For designers looking to create a circuit interrupt, or the latest interlock or detection switch, the DS series interlock snap switches are a perfect fit. Featuring snap-in mounting, a reliable snap action mechanism and Halogen-free material, the DS series are RoHS compliant and available in either latch or momentary variations.

Features & Benefits

- Snap-in mounting
- Reliable snap action mechanism
- Latch or momentary
- RoHS compliant
- Halogen free material

Applications

- Interlock switch
- Detection switch
- Circuit interrupt

Materials

Housing, Cover, Actuator, Knob	Thermoplastic or general purpose phenolic (UL 94 V-0).
NO & NC Fixed Terminals	Copper alloy
Common Terminals	Copper alloy, silver plate
Contacts	Silver alloy / F5 rating gold plated over silver alloy
Return Springs	Stainless steel

ENEC-04283(DS1F5,DS1F7,DS2F5,DS2F7)
ENEC-04285(DS1D6,DS2D6)
ENEC-04286(DS1D7,DS2D7)

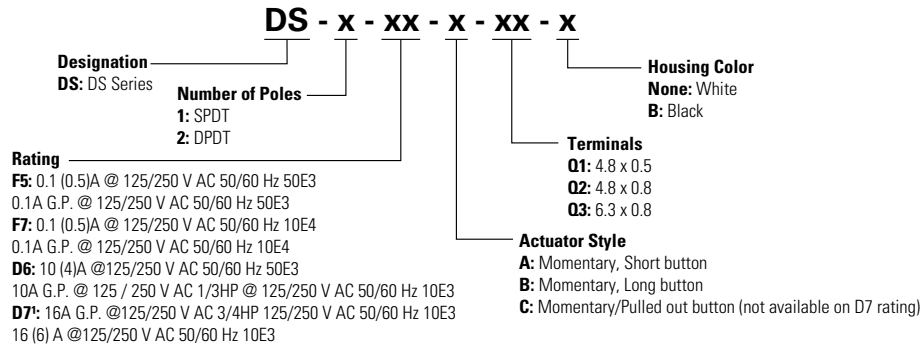
DS Series

Interlock Snap Switches



Ordering Number

To order, simply select desired option from each category and place in the appropriate box. For additional options not shown in catalog, consult Customer Service Center.



Notes:

1. 16A version has Q3 terminals only

International Rating Symbols

10E3	Cycles 10,000
10E4	Cycles 100,000
50E3	Cycles 50,000
10(4)	Current rating: First number represents resistive rating. Second number represents inductive (motor) rating
GP	General purpose rating UL 1054

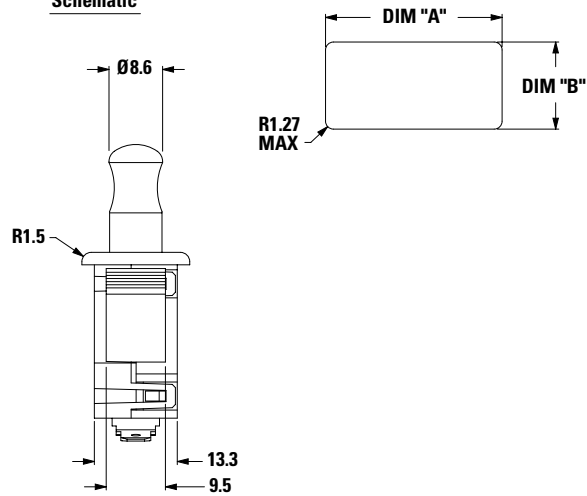
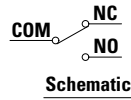
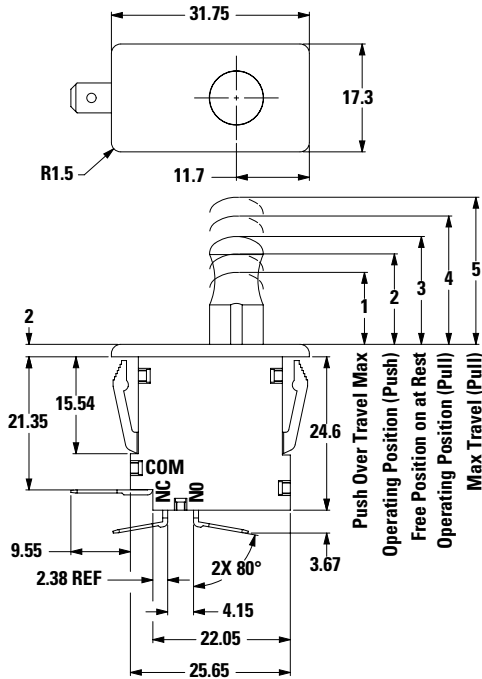
DS Series

Interlock Snap Switches



Number of Poles

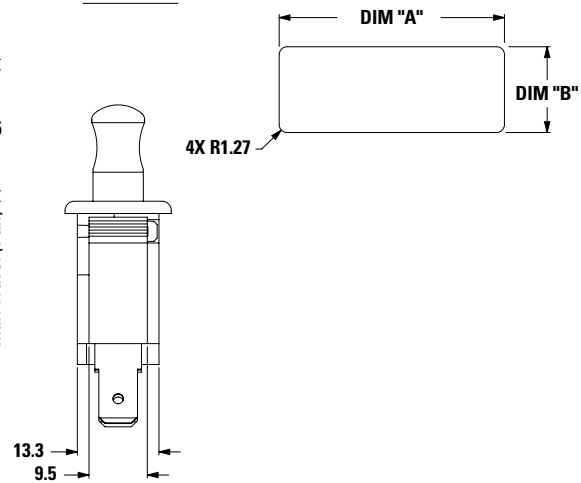
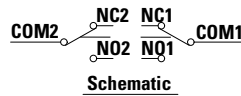
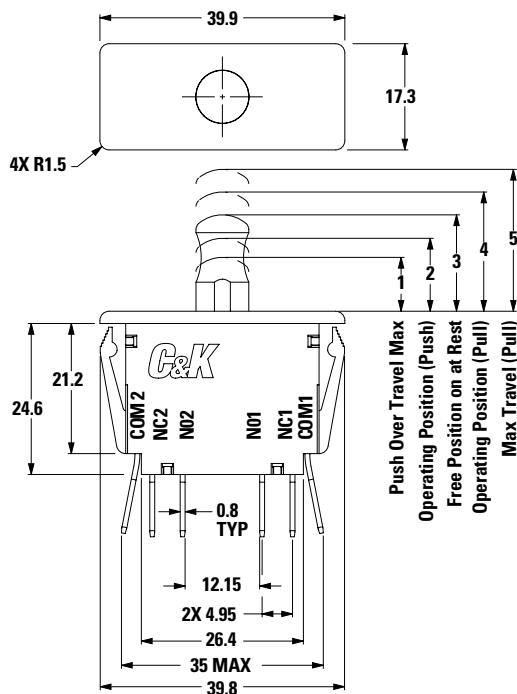
1 SPDT



Panel Mounting

Panel Thickness	DIM "A" mm	DIM "B" mm
1.14	28.32	13.97
2.54	28.58	13.97

2 DPDT



Panel Mounting

Panel Thickness	DIM "A" mm	DIM "B" mm
1.14	36.70	13.97
2.54	36.96	13.97

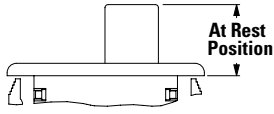
DS Series

Interlock Snap Switches



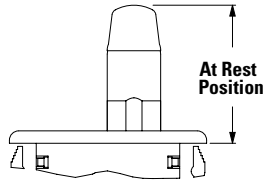
Actuator Style / Specifications

A Short Button



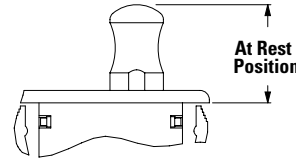
Short Button

B Long Button

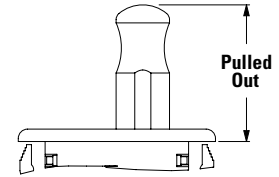


Long Button

C Momentary/Pulled Out



Free Position



Pulled Out Position

SPDT Specification

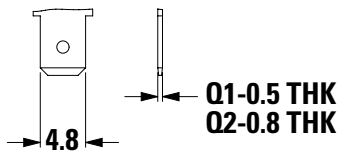
Button Style	Over Travel Position Push Max.	Over Travel Position Pull Max.	Operating Position Push	Operating Position Pull	Free Position at Rest	Operating Force	
A	3.20	-	8.90 ± 1.25	-	11.45 ± 0.75	425 gf	
B	10.15	-	19.55 ± 1.25	-	22.25 ± 0.75	425 gf	
C	13.20	24.90	16.75 ± 1.25	21.60 ± 1.25	19.30 ± 0.75	Push 385 gf	Pull 475 gf

DPDT Specification

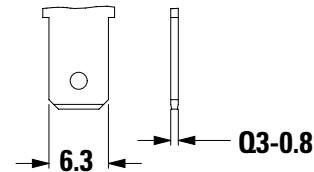
Button Style	Over Travel Position Push Max.	Over Travel Position Pull Max.	Operating Position Push	Operating Position Pull	Free Position at Rest	Operating Force	
A	3.20	-	8.90 ± 1.25	-	11.45 ± 0.75	680 gf	
B	10.15	-	19.55 ± 1.25	-	22.25 ± 0.75	680 gf	
C	13.20	24.90	16.75 ± 1.25	21.60 ± 1.25	19.30 ± 0.75	Push 560 gf	Pull 750 gf

Terminals

Q1 4.8 x 0.5
Q2 4.8 x 0.8



Q3 6.3 x 0.8



Disclaimer Notice - Information furnished is believed to be accurate and reliable. However, users should independently evaluate the suitability of and test each product selected for their own applications. Littelfuse products are not designed for, and may not be used in, all applications. Read complete Disclaimer Notice at <http://www.littelfuse.com/disclaimer-electronics>.